

LT-3200-700

Constant Current LED Dimmer

User's Manual



(Please read this manual carefully before use)

Forward

Thanks for choosing our LT-3200-700 LED Dimmer. Before installation and usage, we strongly recommend you to read through this manual carefully.

After-Sales

From the day you purchase our products within a year, if being used properly in accordance with the instruction, and quality problems occur, we provide free repair or replacement services except the following cases:

1. Any defects caused by wrong operations..
2. Any damages caused by inappropriate power supply or abnormal voltage.
3. Any damages caused by unauthorized removal, maintenance, modifying circuit, incorrect connections and replacing chips.
4. Any damages due to transportation, breaking, flooding water after the purchase.
5. Any damages caused by earthquake, fire, flood, lightning strike etc force majeure of natural disasters.
6. Any damages caused by negligence, inappropriate storing at high temperature and humidity environment or near harmful chemicals.
7. Product has been updated.

Safety warnings

1. Please don't install this controller in lightening, intense magnetic and high-voltage fields.
2. To reduce the risk of component damage and fire caused by short circuit, make sure correct connection
3. Always be sure to mount this unit in an area that will allow proper ventilation to ensure a fitting temperature.
4. Check if the voltage and power adapter suit the controller (**please select DC12-48V power supply with constant voltage**)
5. Don't connect cables with power on, make sure a correct connection and no short circuit checked with instrument before power on.
6. Please don't open controller cover and operate if problems occur.

The manual is only suitable for this model, any update is subject to change without prior notice.

Product Brief

LT-3200-700 is an intelligent dimmer dedicated to adjust the brightness of LED light, adopted the most advanced PWM (Pulse-Width Modulation) digital brightness-adjusting technology at present, users can either turn around the knob manually or use the IR wireless remote control panel to control the brightness infinitely; Suitable for installation of commercial and household 86-style socket; can install the socket visibly outside the wall or inside the wall invisibly; can adjust the brightness of hi-power 3W lights, can meet different brightness requirements at different time, and extend life tenure of LED, so energy-saving.

I . Technical Specs

Model:	LT-3200-700
Input power	DC12V~DC48V
Output signal	Constant current PWM
Output current	Constant current 700mA
Driving LEDs	1~12pcs hi-power 3WLED Drive 1~3pcs LEDs at DC12V Drive 1~6pcs LEDs at DC24V Drive 1~10pcs LEDs at DC36V Drive 1~12pcs LEDs at DC48V
Dimming range	0-100%
Grey scale	256 levels
Switch size	L87xW87(mm)
IR Remote size	L86xW33(mm)
Package size	L96xW91xH61(mm)
Weigh(gross weigh)	200g

II . Features

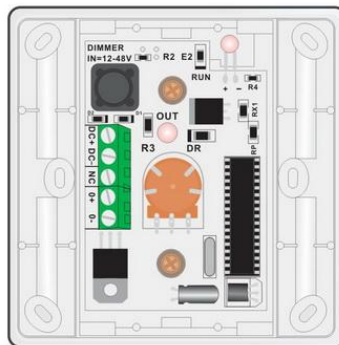
1. 0~100% brightness adjust, infinite knob style dimming+ wireless IR remote dimming, easy to operate;

2. 256 levels grey scale, soft and smoothly, without flicker;
3. PWM digital dimming+ programs without current surge, longest life tenure of LED;
4. 25%、50%、75%、100% 4 DIY modes, fast adjust;
5. 4 DIY modes, with Fluorescent Indicator & delay off button, users friendly;
6. When load of constant current/voltage is beyond, add extra repeater to expand power;
7. Several different types available, suitable for LED lamps with a different circuit;

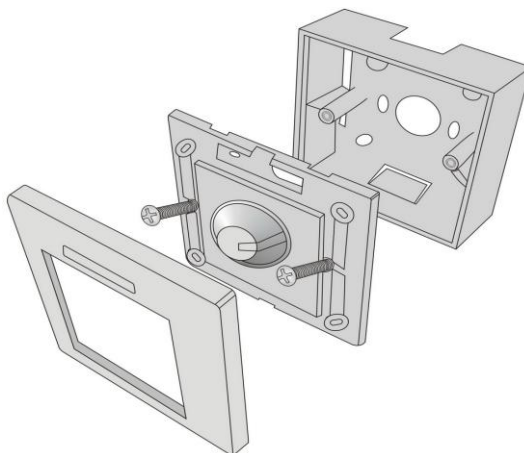
III. Construction drawing



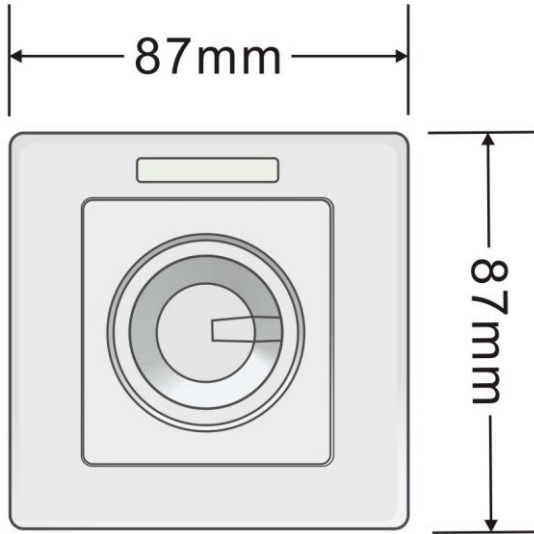
Front view



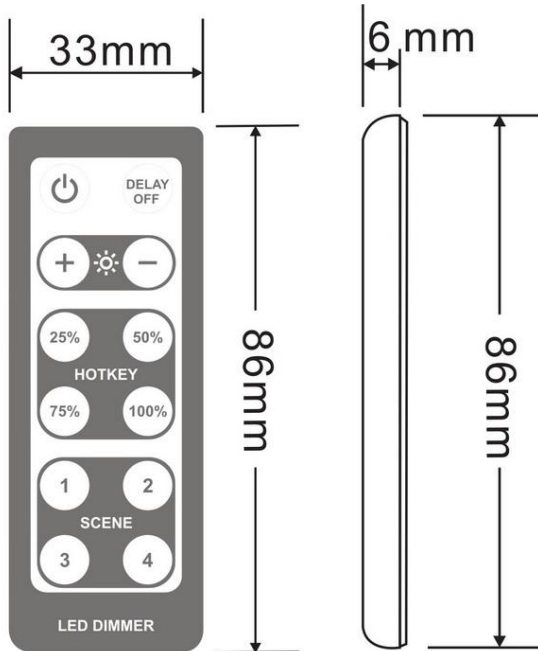
Back view



Major configuration



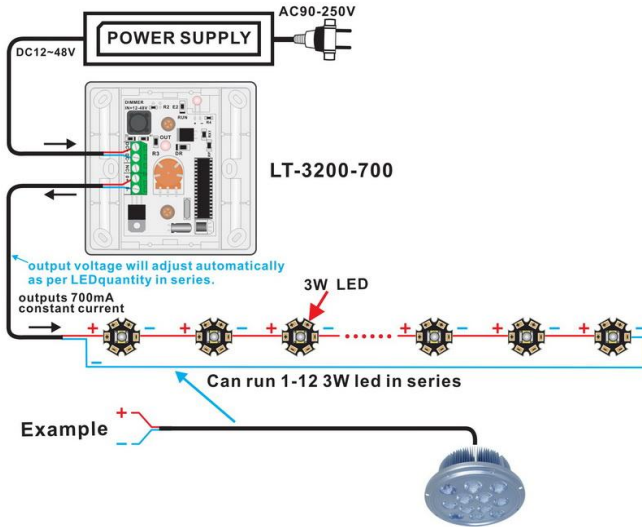
Dimmer size



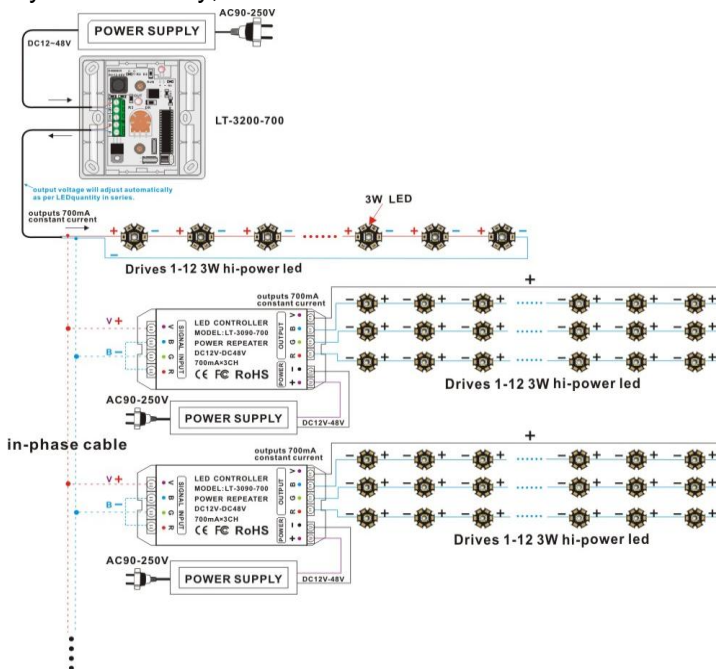
IR remote size

IV. Connection Diagram

1. LT-3200-700 connects 3W hi-power LED directly:

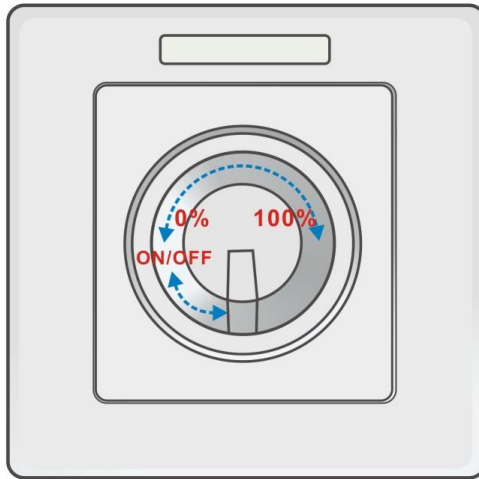


2. you can add our constant current power repeater LT-3090-700, and the quantity is unlimited;



V. Operation instructions

1. About the button:





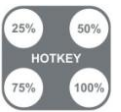
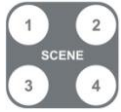


Dimmer knob instruction



IR Remote instruction

2. Detailed functions of IR Remote Button

Signal	Button	Description
	ON /OFF	on/off key: start or turn off the LED lamp  At the off statue, press any key to start the LED lamp
	OELAY OFF	Delay off button: Press this button, LED light will delay 30seconds to be off by itself
	BRT+ BRT-	Mode+ key / -key: Press this two buttons to increase and decrease LED brightness, total 256 levels of brightness, can change brightness continuously by holding on the button.
	HOTKEY	Brightness keyboard shortcuts: Can select different brightness you want directly and immediately by Pressing these 4 shortcuts.
	SCENE	DIY mode button: total four keys, press any key over 3 seconds until the indicator flicks, it means the current brightness was recorded to this button, later you can enter this mode by just once pressing.

VI. Exception Handles

Malfunction	Causation	Settle
No light	<ol style="list-style-type: none"> 1. No power provided 2. Incorrect anode and cathode 3. Wrong connection 	<ol style="list-style-type: none"> 1. Check power 2. Get correct anode & cathode 3. Check connection
Output current less than 700mA	<ol style="list-style-type: none"> 4. The LEDs at each channel are not in series 5.the LED quantity in series is beyond the capacity; 6.the input voltage is lower than the total voltage of all the LEDS in series 	<ol style="list-style-type: none"> 4.Connect LEDS in series 5.reduce the LED quantity 6.replace a suitable power supply