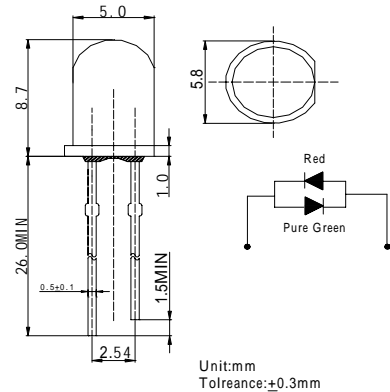


■Features

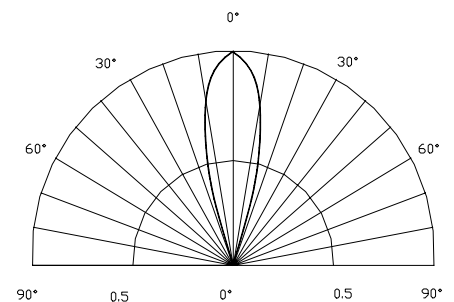
- High Luminous Output
- 5mm Standard Directivity
- Superior Weather-resistance
- Water Clear Type
- RoHS Compliant

■Applications

- Toys
- Games
- Audio

■Outline Dimension

■Absolute Maximum Rating (Ta=25 °C)

Item	Symbol	Value		Unit
		Red	Green	
DC Forward Current	I_F	30	30	mA
Pulse Forward Current*	I_{FP}	100	100	mA
Reverse Voltage	V_R	5	5	V
Power Dissipation	P_D	72	120	mW
Operating Temperature	T_{opr}	-30 ~ +85		
Storage Temperature	T_{stg}	-40~ +100		
Lead Soldering Temperature	T_{sol}	260 / 5sec		-

■Directivity


*Pulse width Max.10ms Duty ratio max 1/10

■Electrical -Optical Characteristics (Ta=25 °C)

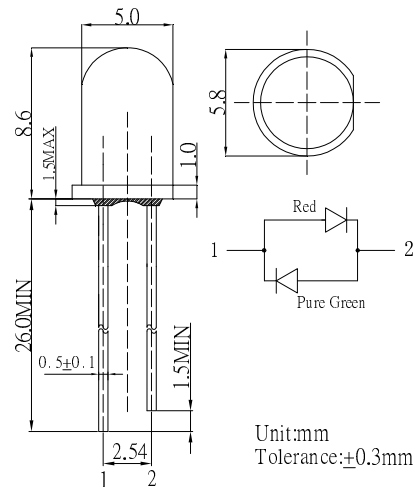
Item	Symbol	Condition	Min.	Typ.	Max.	Unit
DC Forward Voltage	V_F (Red)	$I_F=20mA$	1.8	2.0	2.4	V
	V_F (Green)	$I_F=20mA$	2.8	3.3	3.8	V
DC Reverse Current	I_R	$V_R=5V$	-	-	10	μA
Domi. Wavelength	λ_D (Red)	$I_F=20mA$	620	625	630	nm
	λ_D (Green)	$I_F=20mA$	520	525	530	nm
Luminous Intensity	I_V (Red)	$I_F=20mA$	3000	4200	5800	mcd
	I_V (Green)	$I_F=20mA$	4200	5800	7000	mcd
50% Power Angle	$2\theta_{1/2}$	$I_F=20mA$	-	30	-	deg

■Features

- High Luminous LEDs
- 5mm Round Standard Directivity
- Superior Weather-resistance
- UV Resistant Epoxy
- White Diffused Type

■Applications

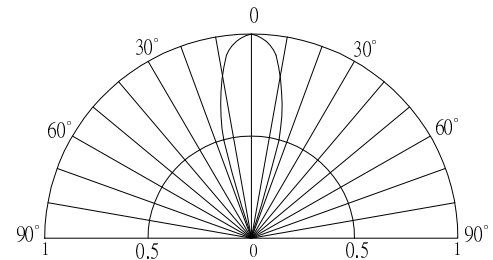
- Indicate Lamp
- Toys/Games/ Audio
- Other Lighting

■Outline Dimension

■Absolute Maximum Rating

(Ta=25°C)

Item	Symbol	Value		Unit
		Red	Green	
DC Forward Current	I _F	50	30	mA
Pulse Forward Current*	I _{FP}	120	100	mA
Reverse Voltage	V _R	5	5	V
Power Dissipation	P _D	130	108	mW
Operating Temperature	T _{opr}	-30~ +85		°C
Storage Temperature	T _{stg}	-40 ~ +100		°C
Lead Soldering Temperature	T _{sol}	260°C /5sec		-

*Pulse width Max.10ms Duty ratio max 1/10

■Directivity

■Electrical -Optical Characteristics

(Ta=25°C)

Item	Symbol	Condition	Min.	Typ.	Max.	Unit
DC Forward Voltage	V _F (R)	I _F =20mA	1.8	2.1	2.6	V
	V _F (Gree)	I _F =20mA	2.9	3.1	3.6	
DC Reverse Current	I _R	V _R =5V	-	-	10	μA
Domi. Wavelength	λ _D (Red)	I _F =20mA	619	624	629	nm
	λ _D (Green)	I _F =20mA	520	525	530	nm
Luminous Intensity	I _v (Red)	I _F =20mA	1560	2180	-	mcd
	I _v (Green)	I _F =20mA	2180	3000	-	mcd
50% Power Angle	2θ _{1/2}	I _F =20mA	-	30	-	deg

*1 Tolerance of dominant wavelength is ±1nm

*2 Tolerance of luminous intensity is ±15%