

LT-393-5A 0-10V LED Dimming Driver (Constant Voltage)

USER MANUAL



(Please read this manual carefully before use)

Forward

Thanks for choosing our LT-393-5A Dimming Driver. Before installation and usage, we strongly recommend you to read through this manual carefully.

After-Sales

From the day you purchase our products within a year, if being used properly in accordance with the instruction, and quality problems occur, we provide free repair or replacement services except the following cases:

1. Any defects caused by wrong operations..
2. Any damages caused by inappropriate power supply or abnormal voltage.
3. Any damages caused by unauthorized removal, maintenance, modifying circuit, incorrect connections and replacing chips.
4. Any damages due to transportation, breaking, flooding water after the purchase.
5. Any damages caused by earthquake, fire, flood, lightning strike etc force majeure of natural disasters.
6. Any damages caused by negligence, inappropriate storing at high temperature and humidity environment or near harmful chemicals.
7. Product has been updated.

Safety warnings

1. Please don't install this controller in lightening, intense magnetic and high-voltage fields.
2. To reduce the risk of component damage and fire caused by short circuit, make sure correct connection
3. Always be sure to mount this unit in an area that will allow proper ventilation to ensure a fitting temperature.
4. Check if the voltage and power adapter suit the controller (**please select DC12-24V power supply with constant voltage**)
5. Don't connect cables with power on, make sure a correct connection and no short circuit checked with instrument before power on.
6. Please don't open controller cover and operate if problems occur.

The manual is only suitable for this model, any update is subject to change without prior notice.

Product Brief

Along with the rise of LED illumination, LED lamps are widely used in hotel, business center, household decoration etc., there are more and more chances to use LED and fluorescent lights at the same project, if LED lamps and fluorescent lights can be controlled together by a traditional fluorescent dimming system, it will make everything more convenient, but the dimming principles of LED and traditional fluorescent lights are different, LED lights can not be dimmed by the fluorescent dimming controller directly.

As a fact of that, our company developed a new 0/1-10V to PWM dimming driver which has solved the compatible problem of fluorescent dimming system. and LED illumination, LED lamps can be controlled by many traditional intelligent dimming system.

I . Product Parameter

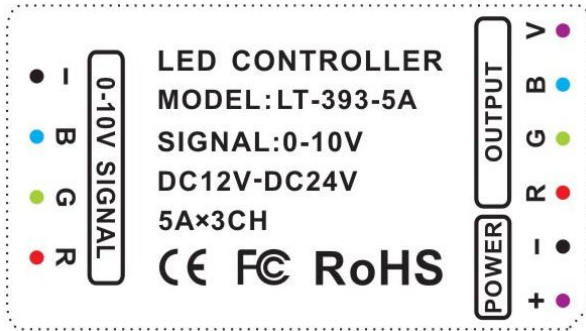
LT-393-5A 0-10V LED Dimming Driver

Input voltage	DC12V~DC24V
Signal input	0-10V analog dimming signal
Signal Output	PWM LED dimming signal
Max loadable current	5A/CH×3
Max Output power	180W@12V/360W@24V
Temperature range	-30°C~55°C
Product size	L121XW39XH39(mm)
Package size	L123XW42XH42(mm)
Weight(GW)	90g

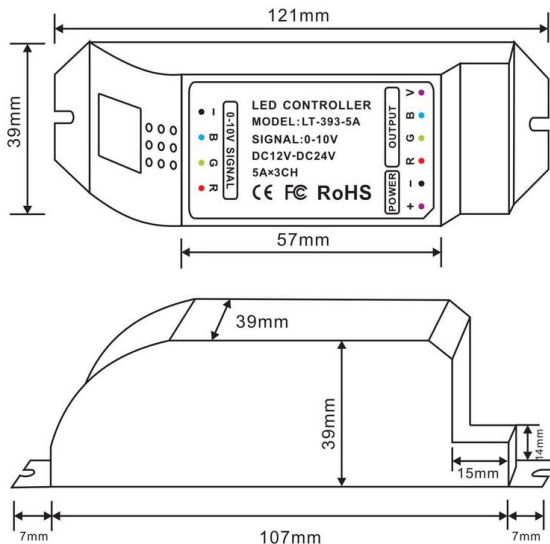
II Basic Features:

1. 0 - 10V to PWM dimming signal conversion.
2. Optical isolation protection for input & output;
3. Compatible with many brand dimming systems.
4. Working voltage from DC12V~DC24V
5. 3 output channels, every channel can load max 5A, 15A totally.
6. Multi units can be worked together or use our power repeaters to control more lamps.

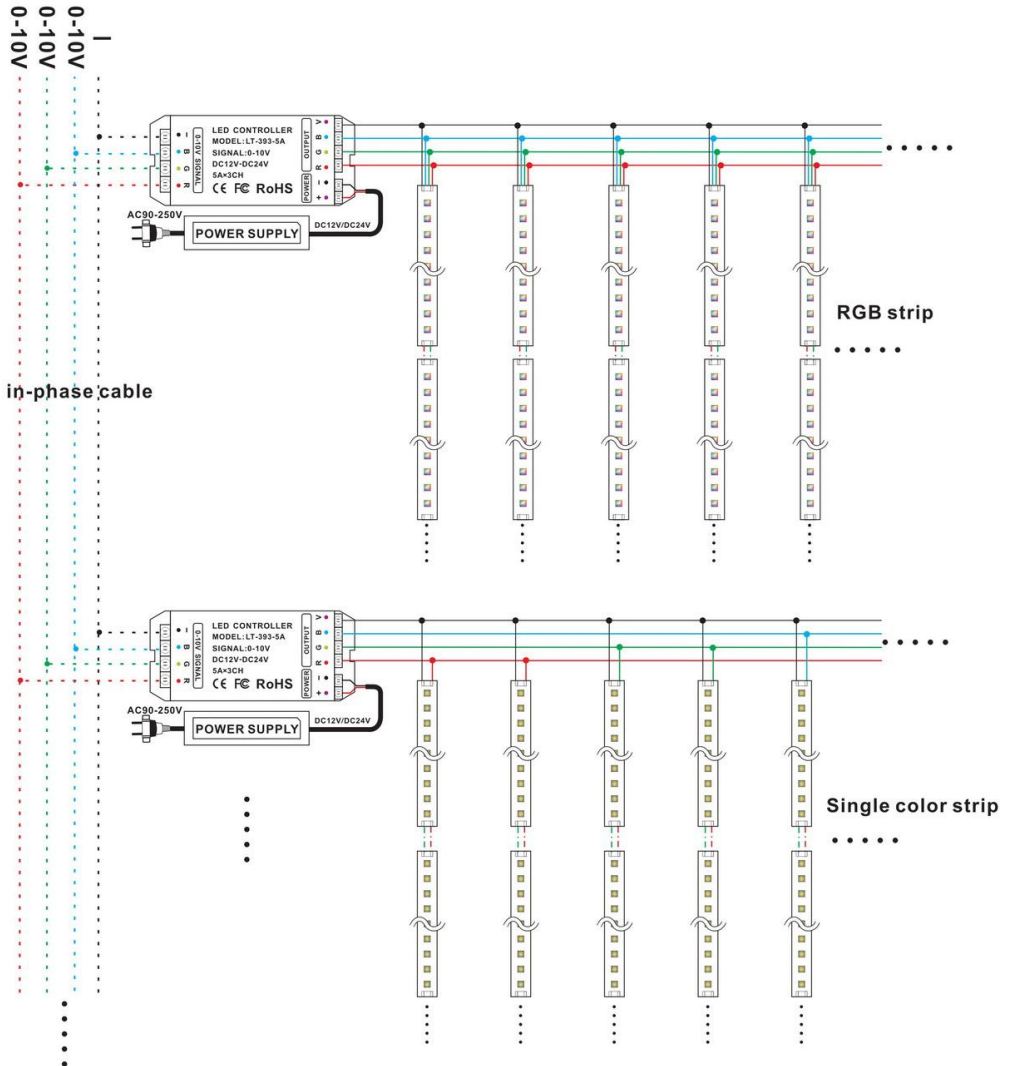
III. Product label



IV. Product dimension



V. Conjunction Diagram (sample)



1. Any normal single color, RGB LED strip, module, etc. can be controlled by our 1-10v dimming driver (common anode).
2. The RGB cables on the input port can be combined as one signal cable to connect the single channel of the dimming system.